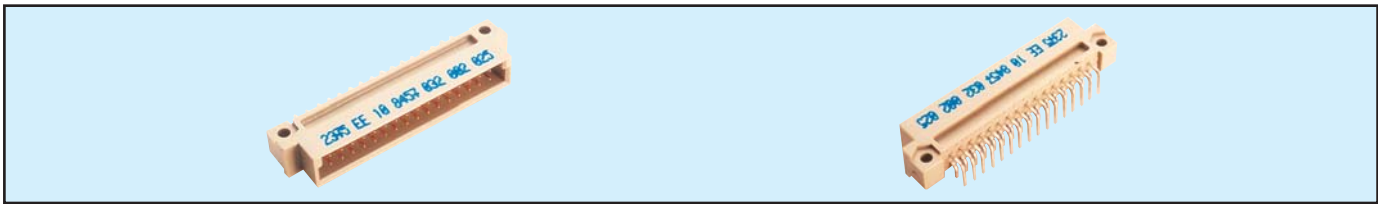


Male Style 1/2 B



Series 8457 – 2 rows (2 x 16)

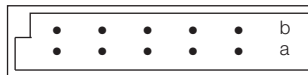


Contact Design and Termination Length	Number of Contacts	Loading Description	Part Number Performance classes according to DIN 41612	
			II	I
3.4 mm (Y) Straight	32	a + b fully loaded	10 8457 032 001 025	10 8457 032 001 049
	16	a + b even loading	10 8457 032 001 031	10 8457 032 001 055
	16	a loading only	10 8457 032 001 027	10 8457 032 001 051
3.0 mm (Y) Right Angled	32	a + b fully loaded	10 8457 032 002 025	10 8457 032 002 049
	16	a + b even loading	10 8457 032 002 031	10 8457 032 002 055
	16	a loading only	10 8457 032 002 027	10 8457 032 002 051
13.0 mm (Y) Straight	30 + 2	fully loaded + ground	10 8457 032 102 025	10 8457 032 102 049
	32	a + b fully loaded	10 8457 032 003 025	10 8457 032 003 049
	16	a + b even loading	10 8457 032 003 031	10 8457 032 003 055
11.3 mm (Y) Right Angled	16	a loading only	10 8457 032 003 027	10 8457 032 003 051
	32	a + b fully loaded	10 8457 032 004 025	10 8457 032 004 049
	16	a + b even loading	10 8457 032 004 031	10 8457 032 004 055
2.3 mm (Y) Right Angled	16	a loading only	10 8457 032 004 027	10 8457 032 004 051
	32	a + b fully loaded	10 8457 032 008 025	10 8457 032 008 049
	16	a + b even loading	10 8457 032 008 031	10 8457 032 008 055
2.3 mm (Y) Right Angled	16	a loading only	10 8457 032 008 027	10 8457 032 008 051
	30 + 2	fully loaded + ground	10 8457 032 108 025	10 8457 032 108 049

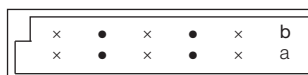
NB: Alternative Prefix Variations Available: 12, 16 & 17, please refer to Page 10.

Additional Plating & Loading Variations: Please contact your local AVX sales office or distributor.

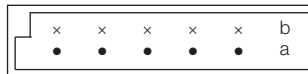
LOADING DESCRIPTION



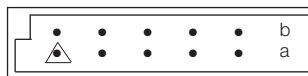
32 contacts, rows a + b fully loaded



16 contacts, rows a + b even loading



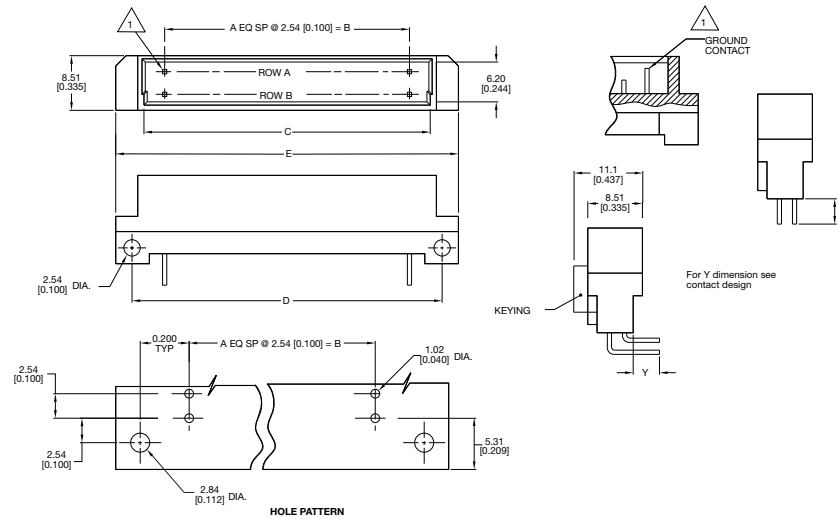
16 contacts, row a loading only



30 + 2 contacts, fully loaded with ground in A1 & A16

△ denotes ground pin

DIMENSIONS

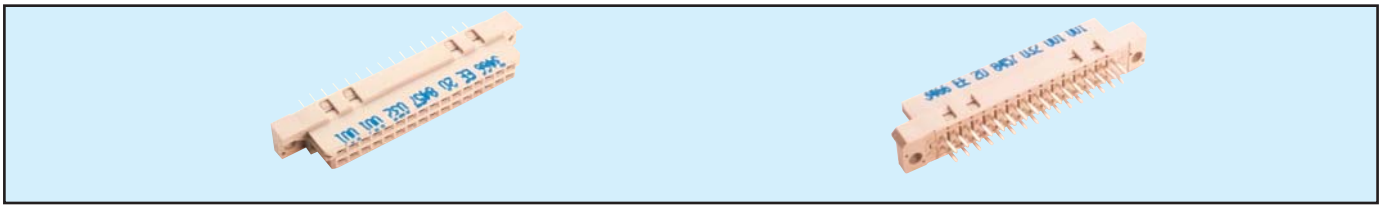


Unit: millimeters (inches)

No. Contact Positions	Contact Rows	A	B	C	D	E
32	2 (2 x 16)	15	38.10 (1.500)	44.55 (1.754)	48.26 (1.900)	53.34 (2.100)

Female Style 1/2 B

Series 8457 – 2 rows (2 x 16)

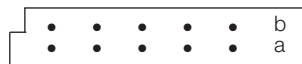


Contact Design and Termination Length	Number of Contacts	Loading Description	Part Number Performance classes according to DIN 41612	
			II	I
0.6 x 0.6 mm post profile 4.5 mm (Y) Straight	32	a + b fully loaded	20 8457 032 001 025	20 8457 032 001 049
	16	a + b even loading	20 8457 032 001 031	20 8457 032 001 055
	16	a loading only	20 8457 032 001 027	20 8457 032 001 051
0.6 x 0.6 mm post profile 2.9 mm (Y) Straight	32	a + b fully loaded	20 8457 032 002 025	20 8457 032 002 049
	16	a + b even loading	20 8457 032 002 031	20 8457 032 002 055
	16	a loading only	20 8457 032 002 027	20 8457 032 002 051
0.6 x 0.6 mm post profile 13.0 mm (Y) Straight	32	a + b fully loaded	20 8457 032 005 025	20 8457 032 005 049
	16	a + b even loading	20 8457 032 005 031	20 8457 032 005 055
	16	a loading only	20 8457 032 005 027	20 8457 032 005 051
0.6 x 0.6 mm post profile 7.0 mm (Y) Straight	32	a + b fully loaded	20 8457 032 010 025	20 8457 032 010 049
	16	a + b even loading	20 8457 032 010 031	20 8457 032 010 055
	16	a loading only	20 8457 032 010 027	20 8457 032 010 051
0.6 x 0.6 mm post profile 3.5 mm (Y) Straight	32	a + b even loading	20 8457 032 011 025	20 8457 032 011 049
	16	a + b fully loaded	20 8457 032 011 031	20 8457 032 011 055
	16	a loading only	20 8457 032 011 027	20 8457 032 011 051
0.6 x 0.6 mm post profile 19.4 mm (Y) Straight	32	a + b fully loaded	20 8457 032 012 025	20 8457 032 012 049
	16	a + b even loading	20 8457 032 012 031	20 8457 032 012 055
	16	a loading only	20 8457 032 012 027	20 8457 032 012 051
0.6 x 0.6 mm post profile 4.5 mm (Y) Right Angled	32	a + b fully loaded	20 8457 032 013 025	20 8457 032 013 049
	16	a + b even loading	20 8457 032 013 031	20 8457 032 013 055
	16	a loading only	20 8457 032 013 027	20 8457 032 013 051

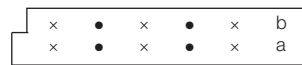
NB: Alternative Prefix Variations Available: 22, 24, 25, 26 & 27, please refer to Page 10.

Additional Plating & Loading Variations: Please contact your local AVX sales office or distributor.

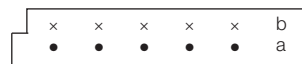
LOADING DESCRIPTION



32 contacts, rows a + b fully loaded

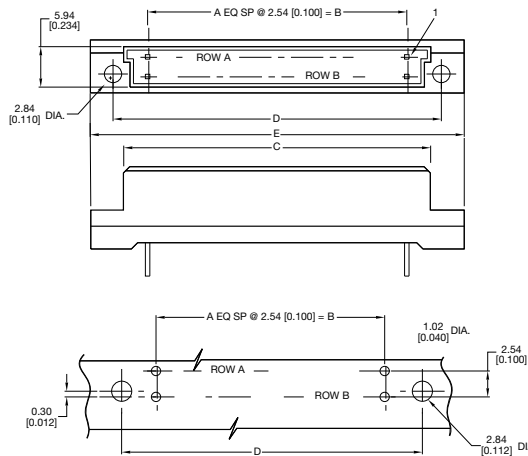


16 contacts, rows a + b even loading

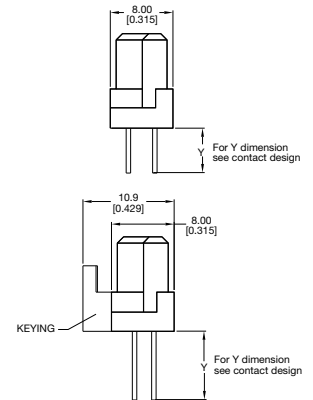


16 contacts, row a loading only

DIMENSIONS



HOLE PATTERN

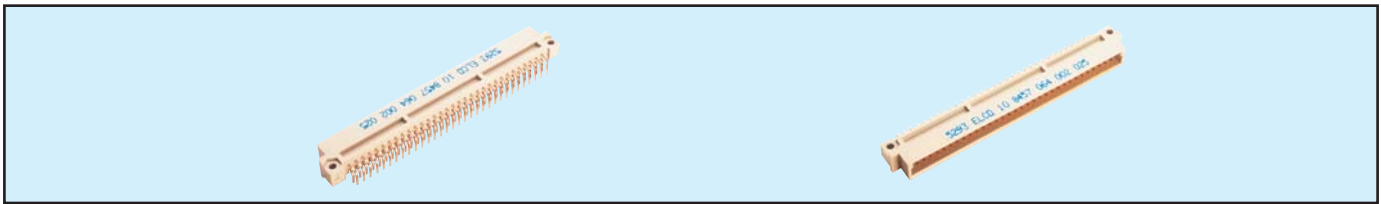


Unit: millimeters (inches)

No. Contact Positions	Contact Rows	A	B	C	D	E
32	2 (2 x 16)	15	38.10 (1.500)	44.30 (1.744)	49.99 (1.968)	54.91 (2.162)

Male Style B

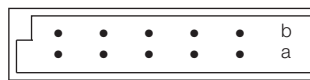
Series 8457 – 2 rows (2 x 32)



Contact Design and Termination Length	Number of Contacts	Loading Description	Part Number Performance classes according to DIN 41612	
			II	I
3.4 mm (Y) Straight	64	a + b fully loaded	10 8457 064 001 025	10 8457 064 001 049
	32	a + b even loading	10 8457 064 001 031	10 8457 064 001 055
	32	a loading only	10 8457 064 001 027	10 8457 064 001 051
3.0 mm (Y) Right Angled	64	a + b fully loaded	10 8457 064 002 025	10 8457 064 002 049
	32	a + b even loading	10 8457 064 002 031	10 8457 064 002 055
	32	a loading only	10 8457 064 002 027	10 8457 064 002 051
13.0 mm (Y) Straight	64	a + b fully loaded	10 8457 064 003 025	10 8457 064 003 049
	32	a + b even loading	10 8457 064 003 031	10 8457 064 003 055
	32	a loading only	10 8457 064 003 027	10 8457 064 003 051
11.3 mm (Y) Right Angled	64	a + b fully loaded	10 8457 064 004 025	10 8457 064 004 049
	32	a + b even loading	10 8457 064 004 031	10 8457 064 004 055
	32	a loading only	10 8457 064 004 027	10 8457 064 004 051
2.3 mm (Y) Right Angled	64	a + b fully loaded	10 8457 064 008 025	10 8457 064 008 049
	32	a + b even loading	10 8457 064 008 031	10 8457 064 008 055
	32	a loading only	10 8457 064 008 027	10 8457 064 008 051
	62 + 2	fully loaded + ground	10 8457 064 102 025	10 8457 064 102 049
			10 8457 064 108 025	10 8457 064 108 049

NB: Alternative Prefix Variations Available: 12, 16 & 17, please refer to Page 10.
Additional Plating & Loading Variations: Please contact your local AVX sales office or distributor.

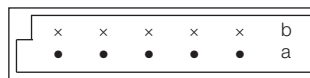
LOADING DESCRIPTION DIMENSIONS



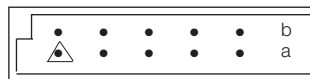
64 contacts, rows a + b fully loaded



32 contacts, rows a + b even loading

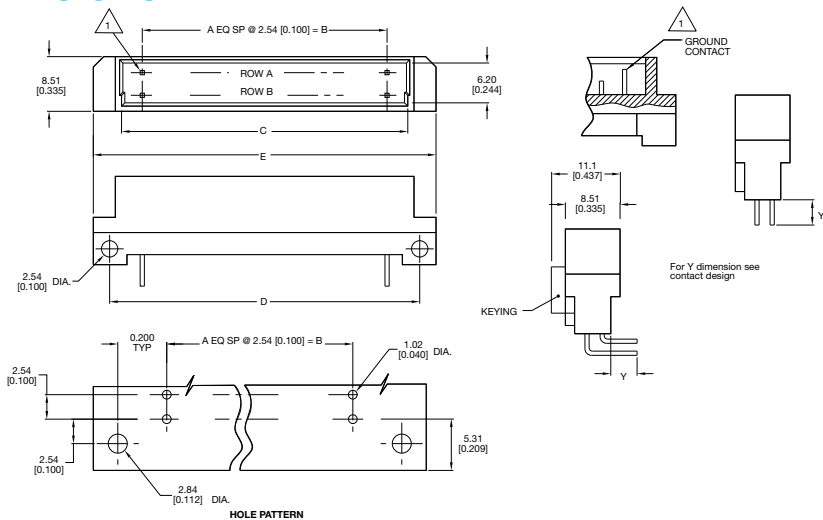


32 contacts, row a loading only



62 + 2 contacts, fully loaded with ground in A1 + A32

△ denotes ground pin



Unit: millimeters (inches)

No. Contact Positions	Contact Rows	A	B	C	D	E
64	2 (2 x 32)	31	78.74 (3.100)	85.19 (3.354)	88.90 (3.500)	93.98 (3.700)

Female Style B



Series 8457 – 2 rows (2 x 32)



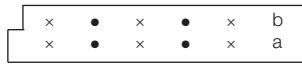
Contact Design and Termination Length	Number of Contacts	Loading Description	Part Number Performance classes according to DIN 41612	
			II	I
0.6 x 0.6 mm Post Profile 4.5 mm (Y) Straight	64	a + b fully loaded	20 8457 064 001 025	20 8457 064 001 049
	32	a + b even loading	20 8457 064 001 031	20 8457 064 001 055
	32	a loading only	20 8457 064 001 027	20 8457 064 001 051
0.6 x 0.6 mm Post Profile 2.9 mm (Y) Straight	64	a + b fully loaded	20 8457 064 002 025	20 8457 064 002 049
	32	a + b even loading	20 8457 064 002 031	20 8457 064 002 055
	32	a loading only	20 8457 064 002 027	20 8457 064 002 051
0.6 x 0.6 mm Post Profile 13.0 mm (Y) Straight	64	a + b fully loaded	20 8457 064 005 025	20 8457 064 005 049
	32	a + b even loading	20 8457 064 005 031	20 8457 064 005 055
	32	a loading only	20 8457 064 005 027	20 8457 064 005 051
0.6 x 0.6 mm Post Profile 7.0 mm (Y) Straight	64	a + b fully loaded	20 8457 064 010 025	20 8457 064 010 049
	32	a + b even loading	20 8457 064 010 031	20 8457 064 010 055
	32	a loading only	20 8457 064 010 027	20 8457 064 010 051
0.6 x 0.6 mm Post Profile 3.5 mm (Y) Straight	64	a + b fully loaded	20 8457 064 011 025	20 8457 064 011 049
	32	a + b even loading	20 8457 064 011 031	20 8457 064 011 055
	32	a loading only	20 8457 064 011 027	20 8457 064 011 051
0.6 x 0.6 mm Post Profile 19.4 mm (Y) Straight	64	a + b fully loaded	20 8457 064 012 025	20 8457 064 012 049
	32	a + b even loading	20 8457 064 012 031	20 8457 064 012 055
	32	a loading only	20 8457 064 012 027	20 8457 064 012 051
0.6 x 0.6 mm Post Profile 4.5 mm (Y) Right Angled	64	a + b fully loaded	20 8457 064 013 025	20 8457 064 013 049
	32	a + b even loading	20 8457 064 013 031	20 8457 064 013 055
	32	a loading only	20 8457 064 013 027	20 8457 064 013 051

NB: Alternative Prefix Variations Available: 22, 24, 25, 26 & 27, please refer to Page 10.
Additional Plating & Loading Variations: Please contact your local AVX sales office or distributor.

LOADING DESCRIPTION



64 contacts, rows a + b fully loaded

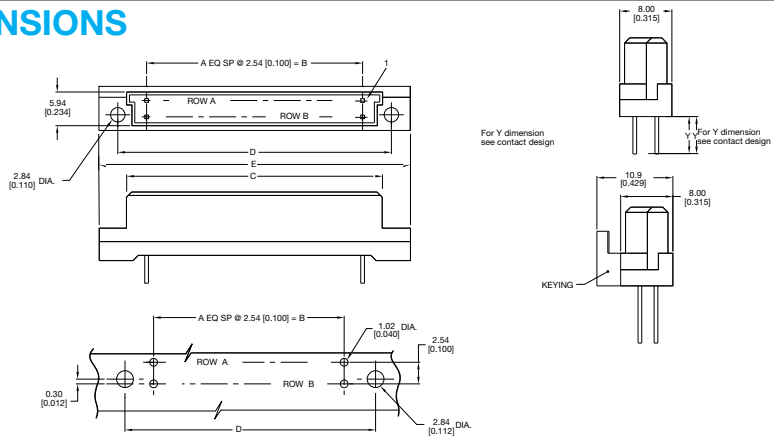


32 contacts, rows a + b even loading



32 contacts, row a loading only

DIMENSIONS



Unit: millimeters (inches)

No. Contact Positions	Contact Rows	A	B	C	D	E
64	2 (2 x 32)	31	78.74 (3.100)	84.91 (3.343)	89.99 (3.543)	94.89 (3.736)

Male Style 1/3 C



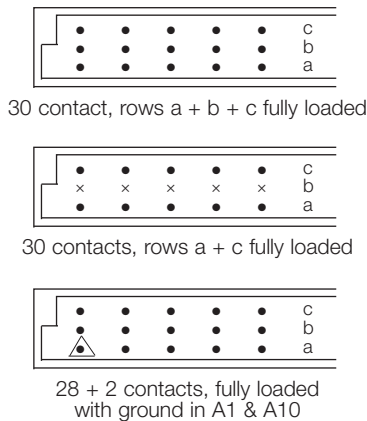
Series 8457 – 3 rows (3 x 10)



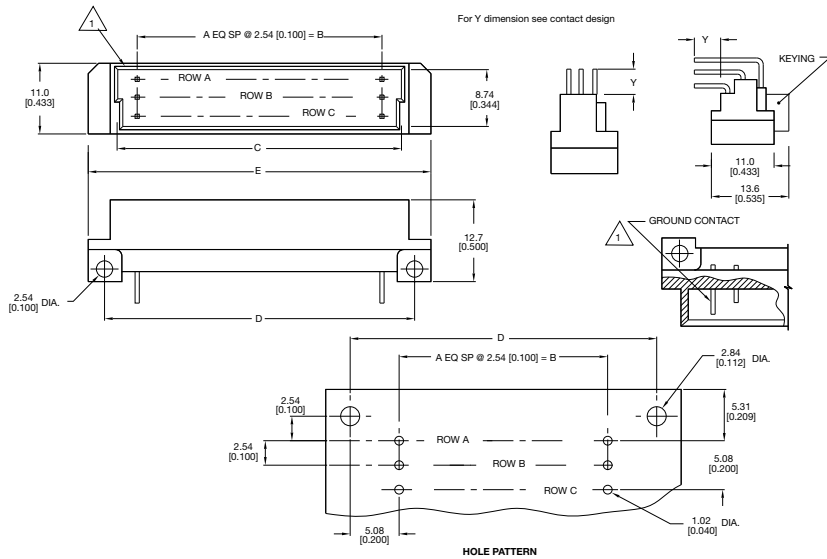
Contact Design and Termination Length	Number of Contacts	Loading Description	Part Number Performance classes according to DIN 41612	
			II	I
3.4 mm (Y) Straight	30	a + b + c fully loaded	10 8457 030 001 025	10 8457 030 001 049
	20	a + c fully loaded	10 8457 030 001 026	10 8457 030 001 050
3.0 mm (Y) Right Angled	30	a + b + c fully loaded	10 8457 030 002 025	10 8457 030 002 049
	20	a + c fully loaded	10 8457 030 002 026	10 8457 030 002 050
	28 + 2	fully loaded + ground	10 8457 030 102 025	10 8457 030 102 049
13.0 mm (Y) Straight	30	a + b + c fully loaded	10 8457 030 003 025	10 8457 030 003 049
	20	a + c fully loaded	10 8457 030 003 026	10 8457 030 003 050
11.3 mm (Y) Right Angled	30	a + b + c fully loaded	10 8457 030 004 025	10 8457 030 004 049
	20	a + c fully loaded	10 8457 030 004 026	10 8457 030 004 050
2.3 mm (Y) Right Angled	30	a + b + c fully loaded	10 8457 030 008 025	10 8457 030 008 049
	20	a + c fully loaded	10 8457 030 008 026	10 8457 030 008 050
	28 + 2	fully loaded + ground	10 8457 030 108 025	10 8457 030 108 049

NB: Alternative Prefix Variations Available: 12, 16 & 17, please refer to Page 10.
Additional Plating & Loading Variations: Please contact your local AVX sales office or distributor.

LOADING DESCRIPTION DIMENSIONS



△ denotes ground pin

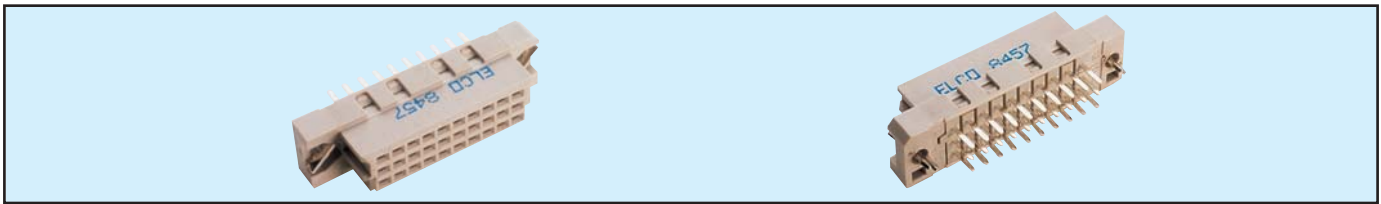


Unit: millimeters (inches)

No. Contact Positions	Contact Rows	A	B	C	D	E
30	3 (3 x 10)	9	22.86 (0.900)	29.41 (1.158)	33.02 (1.300)	38.02 (1.497)

Female Style 1/3 C

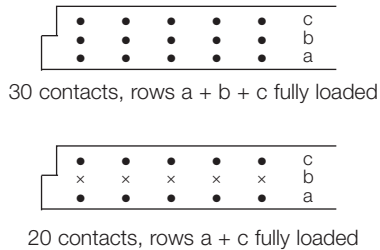
Series 8457 – 3 rows (3 x 10)



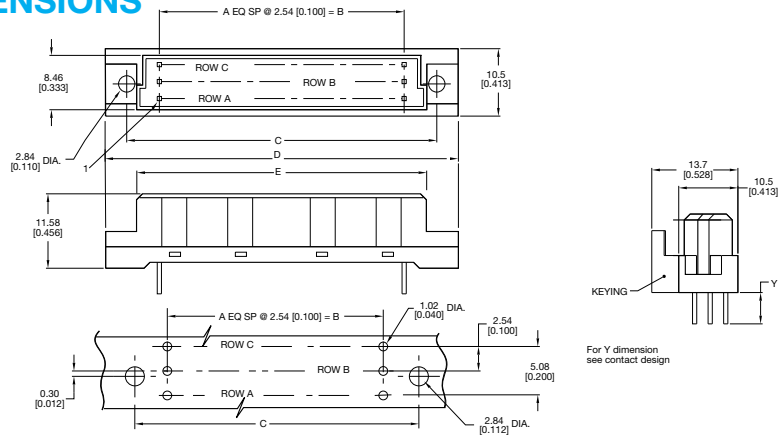
Contact Design and Termination Length	Number of Contacts	Loading Description	Part Number Performance classes according to DIN 41612	
			II	I
0.6 x 0.6 mm Post Profile 4.5 mm (Y) Straight	30	a + b + c fully loaded	20 8457 030 001 025	20 8457 030 001 049
	20	a + c fully loaded	20 8457 030 001 026	20 8457 030 001 050
0.6 x 0.6 mm Post Profile 2.9 mm (Y) Straight	30	a + b + c fully loaded	20 8457 030 002 025	20 8457 030 002 049
	20	a + c fully loaded	20 8457 030 002 026	20 8457 030 002 050
0.6 x 0.6 mm Post Profile 13.0 mm (Y) Straight	30	a + b + c fully loaded	20 8457 030 005 025	20 8457 030 005 049
	20	a + c fully loaded	20 8457 030 005 026	20 8457 030 005 050
0.6 x 0.6 mm Post Profile 3.5 mm (Y) Straight	30	a + b + c fully loaded	20 8457 030 011 025	20 8457 030 011 049
	20	a + c fully loaded	20 8457 030 011 026	20 8457 030 011 050
0.6 x 0.6 mm Post Profile 4.5 mm (Y) Right Angled	30	a + b + c fully loaded	20 8457 030 013 025	20 8457 030 013 049
	20	a + c fully loaded	20 8457 030 013 026	20 8457 030 013 050

NB: Alternative Prefix Variations Available: 22, 24, 25, 26 & 27, please refer to Page 10.
Additional Plating & Loading Variations: Please contact your local AVX sales office or distributor.

LOADING DESCRIPTION



DIMENSIONS



For Y dimension see contact design

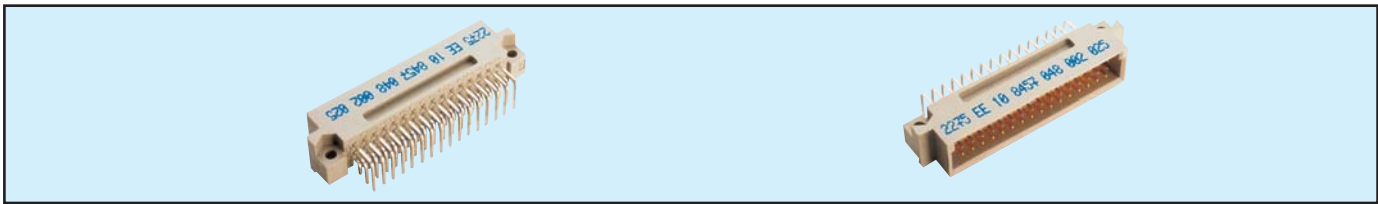
Unit: millimeters (inches)

No. Contact Positions	Contact Rows	A	B	C	D	E
30	3 (3 x 10)	9	22.86 (0.900)	34.75 (1.368)	39.70 (1.563)	29.06 (1.144)

Male Style 1/2 C



Series 8457 – 3 rows (3 x 16)

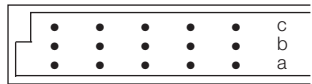


Contact Design and Termination Length	Number of Contacts	Loading Description	Part Number	
			Performance classes according to DIN 41612	
			II	I
3.4 mm (Y) Straight	48	a + b + c fully loaded	10 8457 048 001 025	10 8457 048 001 049
	32	a + c fully loaded	10 8457 048 001 026	10 8457 048 001 050
	16	a loading only	10 8457 048 001 027	10 8457 048 001 051
3.0 mm (Y) Right Angled	48	a + b + c fully loaded	10 8457 048 002 025	10 8457 048 002 049
	32	a + c fully loaded	10 8457 048 002 026	10 8457 048 002 050
	16	a loading only	10 8457 048 002 027	10 8457 048 002 051
	46 + 2	fully loaded + ground	10 8457 048 102 025	10 8457 048 102 049
13.0 mm (Y) Straight	48	a + b + c fully loaded	10 8457 048 003 025	10 8457 048 003 049
	32	a + c fully loaded	10 8457 048 003 026	10 8457 048 003 050
	16	a loading only	10 8457 048 003 027	10 8457 048 003 051
11.3 mm (Y) Right Angled	48	a + b + c fully loaded	10 8457 048 004 025	10 8457 048 004 049
	32	a + c fully loaded	10 8457 048 004 026	10 8457 048 004 050
	16	a loading only	10 8457 048 004 027	10 8457 048 004 051
2.3 mm (Y) Right Angled	48	a + b + c fully loaded	10 8457 048 008 025	10 8457 048 008 049
	32	a + c fully loaded	10 8457 048 008 026	10 8457 048 008 050
	16	a loading only	10 8457 048 008 027	10 8457 048 008 051
	46 + 2	fully loaded + ground	10 8457 048 108 025	10 8457 048 108 049

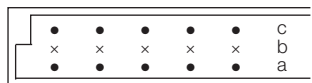
NB: Alternative Prefix Variations Available: 12, 16 & 17, please refer to Page 10.

Additional Plating & Loading Variations: Please contact your local AVX sales office or distributor.

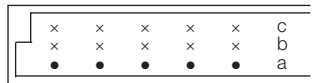
LOADING DESCRIPTION DIMENSIONS



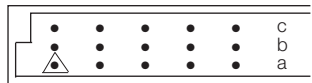
48 contacts, rows a + b + c fully loaded



32 contacts, rows a + c fully loaded

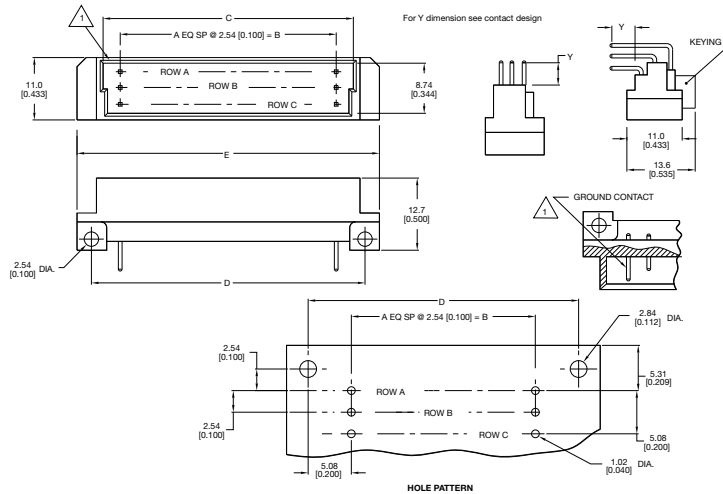


16 contacts, row a loading only



46 + 2 contacts, fully loaded with ground in A1 & A16

△ denotes ground pin

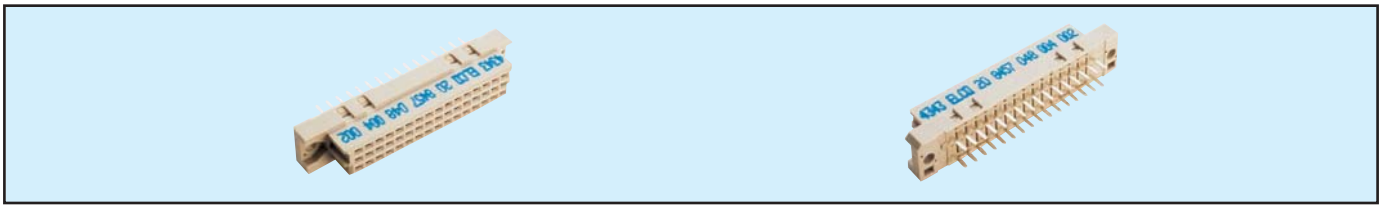


Unit: millimeters (inches)

No. Contact Positions	Contact Rows	A	B	C	D	E
48	3 (3 x 16)	15	38.10 (1.500)	44.70 (1.760)	48.26 (1.900)	53.90 (2.122)

Female Style 1/2 C

Series 8457 – 3 rows (3 x 16)

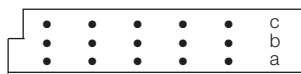


Contact Design and Termination Length	Number of Contacts	Loading Description	Part Number Performance classes according to DIN 41612	
			II	I
0.6 x 0.6 mm Post Profile 4.5 mm (Y) Straight	48	a + b + c fully loaded	20 8457 048 001 025	20 8457 048 001 049
	32	a + c fully loaded	20 8457 048 001 026	20 8457 048 001 050
	16	a loading only	20 8457 048 001 027	20 8457 048 001 051
0.6 x 0.6 mm Post Profile 2.9 mm (Y) Straight	48	a + b + c fully loaded	20 8457 048 002 025	20 8457 048 002 049
	32	a + c fully loaded	20 8457 048 002 026	20 8457 048 002 050
	16	a loading only	20 8457 048 002 027	20 8457 048 002 051
0.6 x 0.6 mm Post Profile 13.0 mm (Y) Straight	48	a + b + c fully loaded	20 8457 048 005 025	20 8457 048 005 049
	32	a + c fully loaded	20 8457 048 005 026	20 8457 048 005 050
	16	a loading only	20 8457 048 005 027	20 8457 048 005 051
0.6 x 0.6 mm Post Profile 7.0 mm (Y) Straight	48	a + b + c fully loaded	20 8457 048 010 025	20 8457 048 010 049
	32	a + c fully loaded	20 8457 048 010 026	20 8457 048 010 050
	16	a loading only	20 8457 048 010 027	20 8457 048 010 051
0.6 x 0.6 mm Post Profile 3.5 mm (Y) Straight	48	a + b + c fully loaded	20 8457 048 011 025	20 8457 048 011 049
	32	a + c fully loaded	20 8457 048 011 026	20 8457 048 011 050
	16	a loading only	20 8457 048 011 027	20 8457 048 011 051
0.6 x 0.6 mm Post Profile 19.4 mm (Y) Straight	48	a + b + c fully loaded	20 8457 048 012 025	20 8457 048 012 049
	32	a + c fully loaded	20 8457 048 012 026	20 8457 048 012 050
	16	a loading only	20 8457 048 012 027	20 8457 048 012 051
0.6 x 0.6 mm Post Profile 4.5 mm (Y) Right Angled	48	a + b + c fully loaded	20 8457 048 013 025	20 8457 048 013 049
	32	a + c fully loaded	20 8457 048 013 026	20 8457 048 013 050
	16	a loading only	20 8457 048 013 027	20 8457 048 013 051

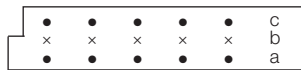
NB: Alternative Prefix Variations Available: 22, 24, 25, 26 & 27, please refer to Page 10.

Additional Plating & Loading Variations: Please contact your local AVX sales office or distributor.

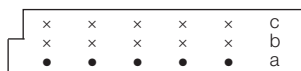
LOADING DESCRIPTION



48 contacts, rows a + b + c fully loaded

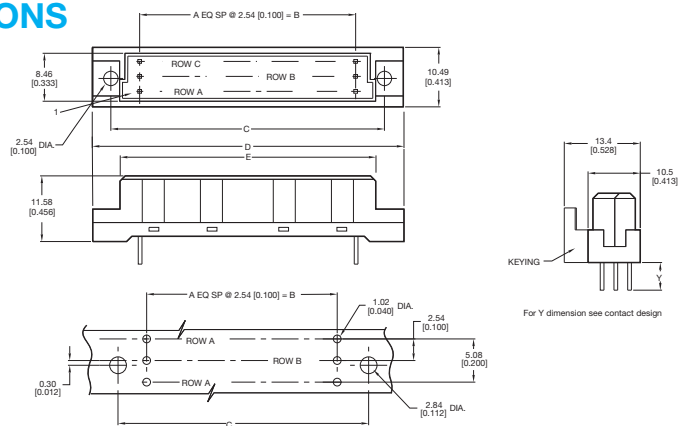


32 contacts, rows a + c fully loaded



16 contacts, row a loading only

DIMENSIONS



For Y dimension see contact design

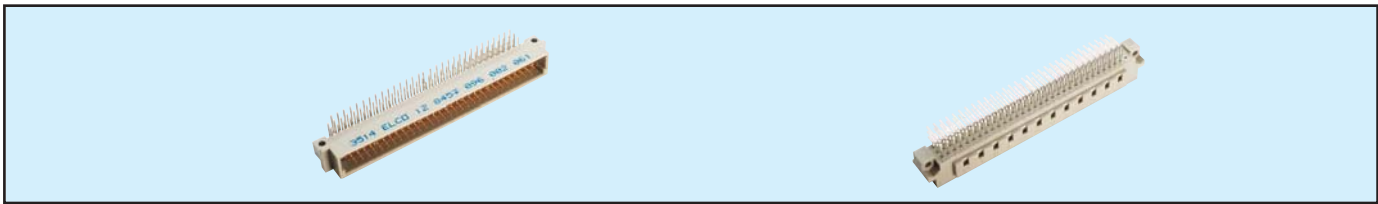
Unit: millimeters (inches)

No. Contact Positions	Contact Rows	A	B	C	D	E
48	3 (3 x 16)	15	38.10 (1.500)	50.01 (1.969)	54.89 (2.161)	44.30 (1.744)

Male Style C



Series 8457 – 3 rows (3 x 32)

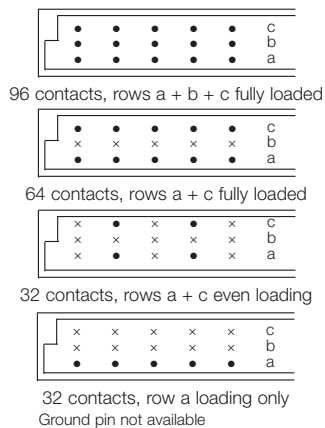


Contact Design and Termination Length	Number of Contacts	Loading Description	Part Number Performance classes according to DIN 41612	
			II	I
3.4 mm (Y) Straight	96	a + b + c fully loaded	10 8457 096 001 025	10 8457 096 001 049
	64	a + c fully loaded	10 8457 096 001 026	10 8457 096 001 050
	32	a + c even loading	10 8457 096 001 033	10 8457 096 001 057
	32	a loading only	10 8457 096 001 027	10 8457 096 001 051
3.0 mm (Y) Right Angled	96	a + b + c fully loaded	10 8457 096 002 025	10 8457 096 002 049
	64	a + c fully loaded	10 8457 096 002 026	10 8457 096 002 050
	32	a + c even loading	10 8457 096 002 033	10 8457 096 002 057
	32	a loading only	10 8457 096 002 027	10 8457 096 002 051
13.0 mm (Y) Straight	96	a + b + c fully loaded	10 8457 096 003 025	10 8457 096 003 049
	64	a + c fully loaded	10 8457 096 003 026	10 8457 096 003 050
	32	a + c even loading	10 8457 096 003 033	10 8457 096 003 057
	32	a loading only	10 8457 096 003 027	10 8457 096 003 051
11.3mm (Y) Right Angled	96	a + b + c fully loaded	10 8457 096 004 025	10 8457 096 004 049
	64	a + c fully loaded	10 8457 096 004 026	10 8457 096 004 050
	32	a + c even loading	10 8457 096 004 033	10 8457 096 004 057
	32	a loading only	10 8457 096 004 027	10 8457 096 004 051
7.7 mm (Y) Solder Hole	96	a + b + c fully loaded	10 8457 096 006 025	10 8457 096 006 049
	64	a + c fully loaded	10 8457 096 006 026	10 8457 096 006 050
	32	a + c even loading	10 8457 096 006 033	10 8457 096 006 057
	32	a loading only	10 8457 096 006 027	10 8457 096 006 051
6.4 mm (Y) Solder Loop	96	a + b + c fully loaded	10 8457 096 007 025	10 8457 096 007 049
	64	a + c fully loaded	10 8457 096 007 026	10 8457 096 007 050
	32	a + c even loading	10 8457 096 007 033	10 8457 096 007 057
	32	a loading only	10 8457 096 007 027	10 8457 096 007 051
2.3 mm (Y) Right Angled	96	a + b + c fully loaded	10 8457 096 008 025	10 8457 096 008 049
	64	a + c fully loaded	10 8457 096 008 026	10 8457 096 008 050
	32	a + c even loading	10 8457 096 008 033	10 8457 096 008 057
	32	a loading only	10 8457 096 008 027	10 8457 096 008 051

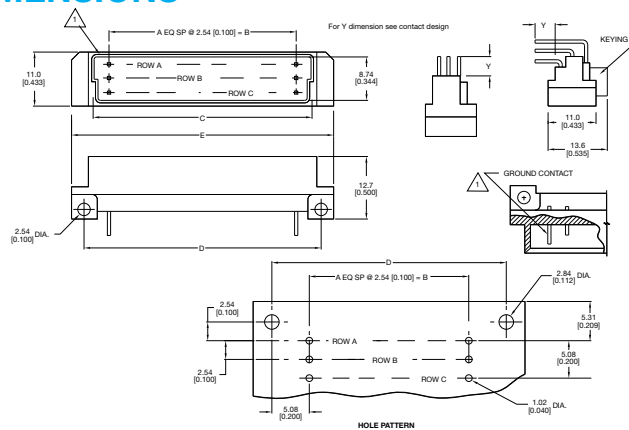
NB: Alternative Prefix Variations Available: 12, 16 & 17, please refer to Page 10.

Additional Plating & Loading Variations: Please contact your local AVX sales office or distributor.

LOADING DESCRIPTION



DIMENSIONS



Unit: millimeters (inches)

No. Contact Positions	96
Contact Rows	3 (3 x 32)
A	31
B	78.74 (3.100)
C	85.29 (3.358)
D	88.90 (3.500)
E	93.90 (3.697)

Female Style C

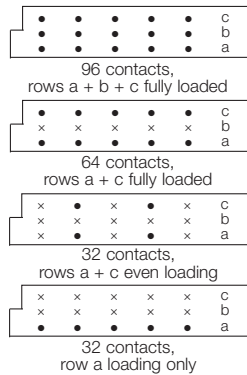
Series 8457 – 3 rows (3 x 32)



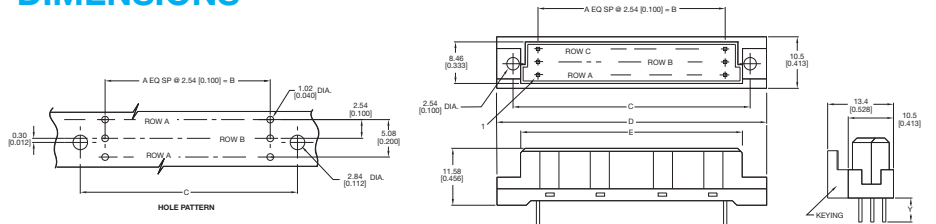
Contact Design and Termination Length	Number of Contacts	Loading Description	Part Number Performance classes according to DIN 41612	
			II	I
0.6 x 0.6 mm Post Profile 4.5 mm (Y) Straight	96	a + b + c fully loaded	20 8457 096 001 025	20 8457 096 001 049
	64	a + c fully loaded	20 8457 096 001 026	20 8457 096 001 050
	32	a + c even loading	20 8457 096 001 033	20 8457 096 001 057
	32	a loading only	20 8457 096 001 027	20 8457 096 001 051
0.6 x 0.6 mm Post Profile 2.9 mm (Y) Straight	96	a + b + c fully loaded	20 8457 096 002 025	20 8457 096 002 049
	64	a + c fully loaded	20 8457 096 002 026	20 8457 096 002 050
	32	a + c even loading	20 8457 096 002 033	20 8457 096 002 057
	32	a loading only	20 8457 096 002 027	20 8457 096 002 051
0.6 x 0.6 mm Post Profile 13.0 mm (Y) Straight	96	a + b + c fully loaded	20 8457 096 005 025	20 8457 096 005 049
	64	a + c fully loaded	20 8457 096 005 026	20 8457 096 005 050
	32	a + c even loading	20 8457 096 005 033	20 8457 096 005 057
	32	a loading only	20 8457 096 005 027	20 8457 096 005 051
0.6 x 0.6 mm Post Profile 7.0 mm (Y) Straight	96	a + b + c fully loaded	20 8457 096 010 025	20 8457 096 010 049
	64	a + c fully loaded	20 8457 096 010 026	20 8457 096 010 050
	32	a + c even loading	20 8457 096 010 033	20 8457 096 010 057
	32	a loading only	20 8457 096 010 027	20 8457 096 010 051
0.6 x 0.6 mm Post Profile 3.5 mm (Y) Straight	96	a + b + c fully loaded	20 8457 096 011 025	20 8457 096 011 049
	64	a + c fully loaded	20 8457 096 011 026	20 8457 096 011 050
	32	a + c all even loading	20 8457 096 011 033	20 8457 096 011 057
	32	a loading only	20 8457 096 011 027	20 8457 096 011 051
0.6 x 0.6 mm Post Profile 19.4 mm (Y) Straight	96	a + b + c fully loaded	20 8457 096 012 025	20 8457 096 012 049
	64	a + c fully loaded	20 8457 096 012 026	20 8457 096 012 050
	32	a + c even loading	20 8457 096 012 033	20 8457 096 012 057
	32	a loading only	20 8457 096 012 027	20 8457 096 012 051
0.6 x 0.6 mm Post Profile 4.5 mm (Y) Right Angled	96	a + b + c fully loaded	20 8457 096 013 025	20 8457 096 013 049
	64	a + c fully loaded	20 8457 096 013 026	20 8457 096 013 050
	32	a + c even loading	20 8457 096 013 033	20 8457 096 013 057
	32	a loading only	20 8457 096 013 027	20 8457 096 013 051

NB: Alternative Prefix Variations Available: 22, 24, 25, 26 & 27, please refer to Page 10.
Additional Plating & Loading Variations: Please contact your local AVX sales office or distributor.

LOADING DESCRIPTION



DIMENSIONS

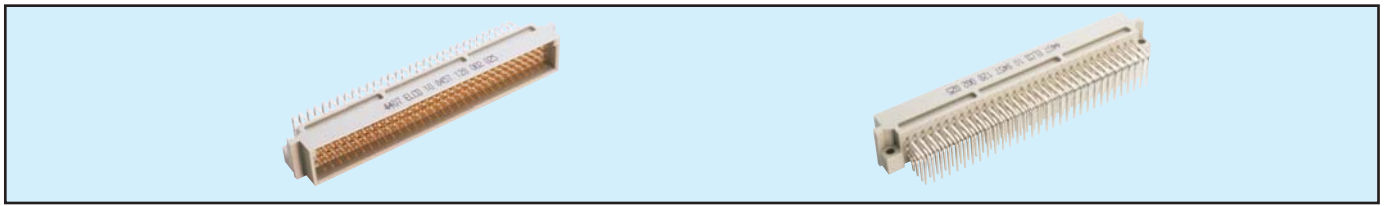


No. Contact Positions	Contact Rows	A	B	C	D	E
96	3 (3 x 32)	31	78.74 (3.100)	89.99 (3.543)	94.89 (3.736)	84.91 (3.343)

Male Style C Expanded



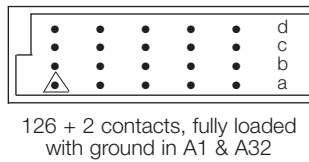
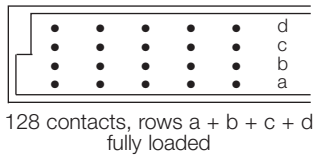
Series 8457 – 4 rows (4 x 32)



Contact Design and Termination Length	Number of Contacts	Loading Description	Part Number Performance classes according to DIN 41612	
			II	I
3.4 mm (Y) Straight	128	a + b + c + d fully loaded	10 8457 128 001 025	10 8457 128 001 049
	126 + 2	4 rows fully loaded + ground	10 8457 128 101 025	10 8457 128 101 049
3.0 mm (Y) Right Angled	128	a + b + c + d fully loaded	10 8457 128 002 025	10 8457 128 002 049
	126 + 2	4 rows fully loaded + ground	10 8457 128 102 025	10 8457 128 102 049

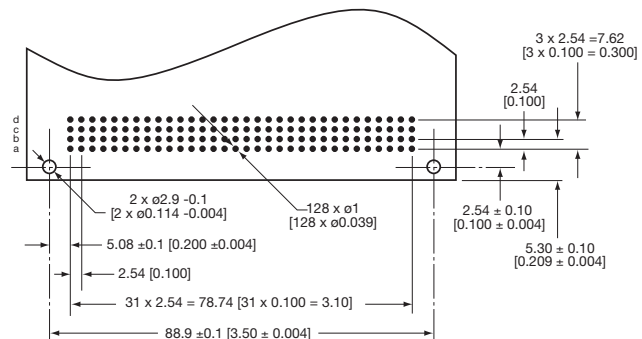
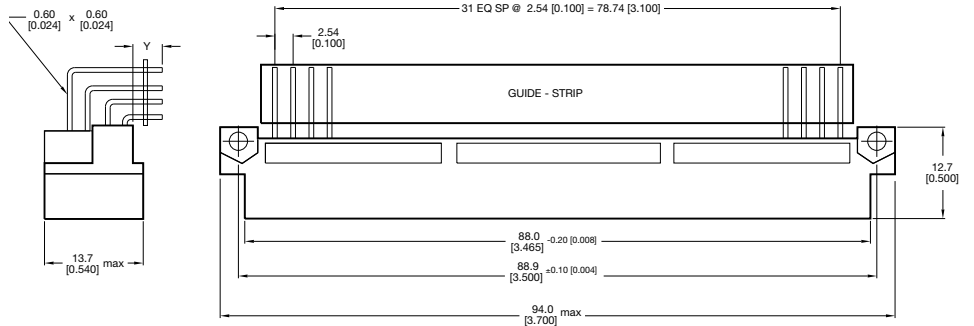
NB: Alternative Prefix Variations Available: 12, 16 & 17, please refer to Page 10.
Additional Plating & Loading Variations: Please contact your local AVX sales office or distributor.

LOADING DESCRIPTION



△ denotes ground pin

DIMENSIONS

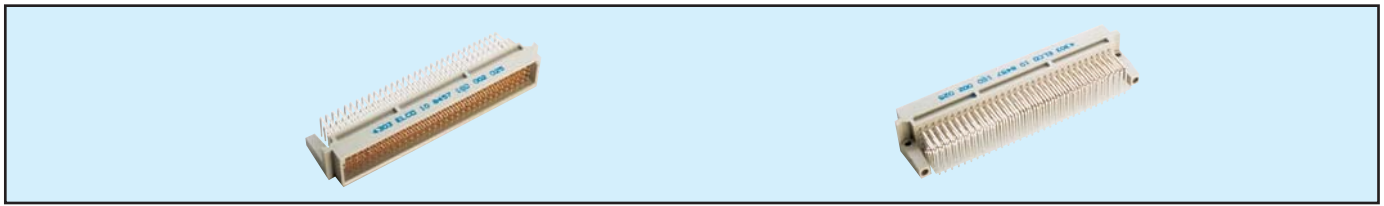


HOLE PATTERN

Male Style C Expanded



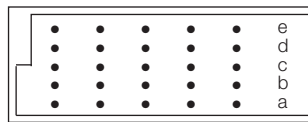
Series 8457 – 5 rows (5 x 32)



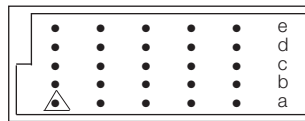
Contact Design and Termination Length	Number of Contacts	Loading Description	Part Number Performance classes according to DIN 41612	
			II	I
3.4 mm (Y) Straight	160	a + b + c + d + e fully loaded	10 8457 160 001 025	10 8457 160 001 049
	158 + 2	5 rows fully loaded + ground	10 8457 160 101 025	10 8457 160 101 049
3.0 mm (Y) Right Angled	160	a + b + c + d + e fully loaded	10 8457 160 002 025	10 8457 160 002 049
	158 + 2	5 rows fully loaded + ground	10 8457 160 102 025	10 8457 160 102 049

NB: Alternative Prefix Variations Available: 16 & 17, please refer to Page 10.
Additional Plating & Loading Variations: Please contact your local AVX sales office or distributor.

LOADING DESCRIPTION



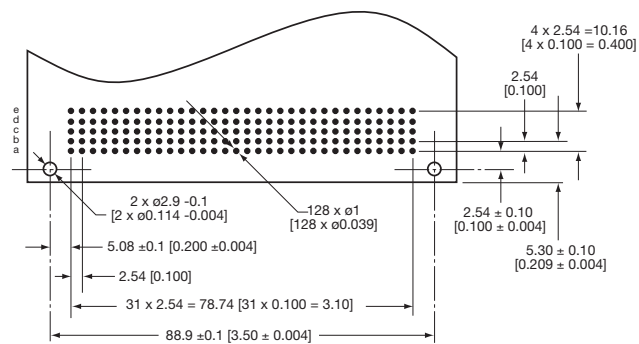
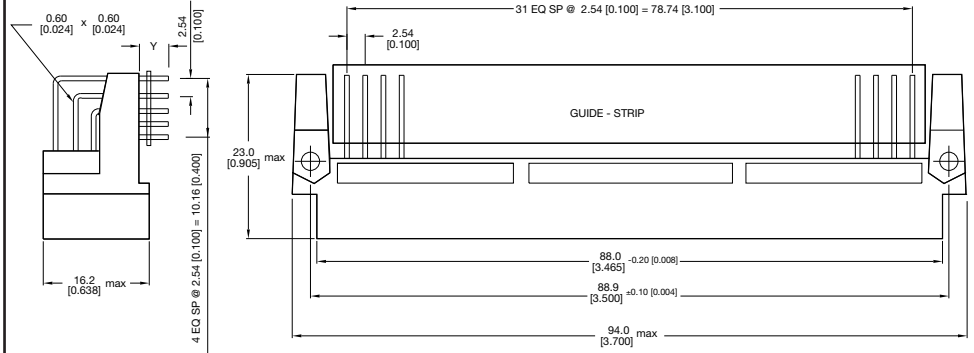
160 contacts, rows a + b + c + d + e fully loaded



158 + 2 contacts, fully loaded with ground in A1 & A32

△ denotes ground pin

DIMENSIONS



HOLE PATTERN

Mouser Electronics

Authorized Distributor

Click to View Pricing, Inventory, Delivery & Lifecycle Information:

AVX:

[108457096002027](#) [598457048000137](#) [598457096000783](#) [598457096000784](#) [598457096000796](#)
[208457064005901](#) [108457030002025](#) [108457032001025](#) [108457032002025](#) [108457048001025](#) [108457048002026](#)
[108457048002049](#) [108457048004025](#) [108457064002025](#) [108457064002049](#) [108457096001025](#)
[108457096002001](#) [108457096002025](#) [108457096002026](#) [108457096002033](#) [108457096002049](#) [108457096002050](#)
[108457096004025](#) [108457096004049](#) [108457096006025](#) [108457096007033](#) [108457128002025](#)
[108457128002049](#) [108457160002025](#) [108457160002049](#) [128457096002025](#) [128457096002026](#) [128457096002049](#)
[168457048002026](#) [168457096002026](#) [208457030013025](#) [208457032001025](#) [208457032002025](#)
[208457048001025](#) [208457048002025](#) [208457064001025](#) [208457064001097](#) [208457064002025](#) [208457096001025](#)
[208457096001049](#) [208457096002025](#) [208457096002026](#) [208457096002049](#) [208457096005025](#)
[208457096005026](#) [228457048002025](#) [228457096001025](#) [228457096001026](#) [228457096001097](#) [228457096002049](#)
[228457096005133](#) [598457048000093](#) [598457048000103](#) [598457048000120](#) [598457064000115](#)
[598457096000495](#) [598457096000661](#) [598457096000756](#) [598457096000764](#) [598457096111005](#) [598457160000030](#)
[108457032005025](#) [108457048003025](#) [108457096001026](#) [108457128102025](#) [128457096002097](#)
[168457048002025](#) [208457030001025](#) [208457064013025](#) [208457096001097](#) [208457096011025](#) [538457096000009](#)
[598457032000015](#) [108457030001025](#) [108457030004049](#) [108457032002031](#) [108457032002049](#)
[108457032003025](#) [108457032004025](#) [108457032008025](#) [108457048004026](#) [108457048008026](#) [108457048102025](#)
[108457064001031](#) [108457064002027](#) [108457064002031](#) [108457064004025](#) [108457064004049](#)
[108457064102025](#) [108457096001049](#) [108457096003025](#) [108457096004050](#) [108457096006026](#) [108457096006049](#)
[108457096007025](#)