

Miniature Rotary Switches

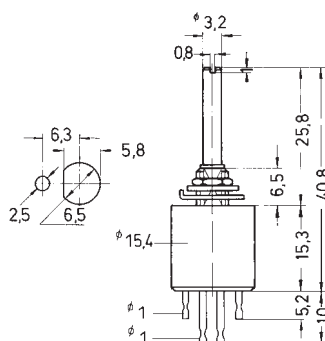
Specifications:

Contact rating:	step angle between 2 positions 30°: 125 V AC, 0,15 24 V DC, 0,15 A
	step angle between 2 positions 36°: 125 V AC, 0,5 A 24 V DC, 0,5 A
Contact resistance:	< 10 mΩ
Insulation resistance:	> 100 MΩ at 500 V DC
Dielectric strength:	1000 V, 50 Hz for the duration of 1 minute
Humidity resistance:	10 MΩ after 48 h at 40° C and 95 % relative humidity
Operating temperature:	- 45° to + 110° C
Electrical life:	10 000 – 30 000 operations depending on load
Contacts:	coin silver
Material:	body: diallyl-phthalate, cover: aluminium shaft: brass, nickel-plated
Contact timing:	non-shorting
Mounting:	bushing 1/4" with locking plate or flat bush – 40 THD, key 8 mm axis 1/8"

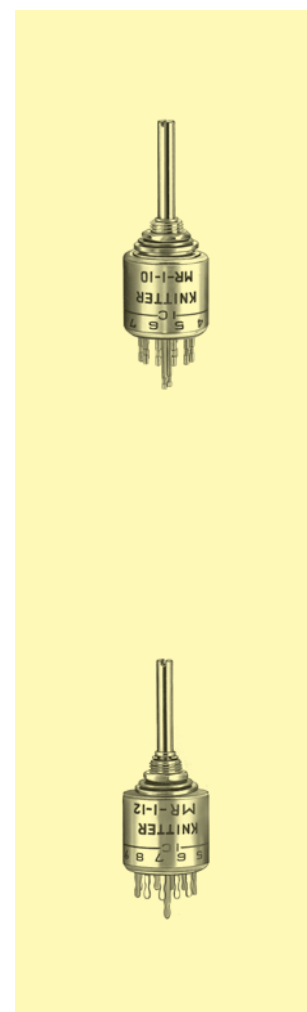
Models:	Poles	Positions
MR 1 – 10*	1	10
MR 1 – 10 C	1	10
MR 2 – 5*	2	5
MR 3 – 3*	3	3
MR 4 – 2	4	2

C = without stopper

* On MR switches, the number of positions can be reduced by changing the positions of the inner ring. For using all positions, this ring has to be removed.

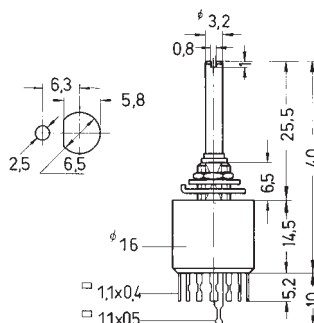


Angle between 2 positions 36°



MR 1 – 12*	1	12
MR 2 – 6	2	6
MR 3 – 4	3	4
MR 4 – 3	4	3

* without stopper



Angle between 2 positions 30°