



MOTOROLA

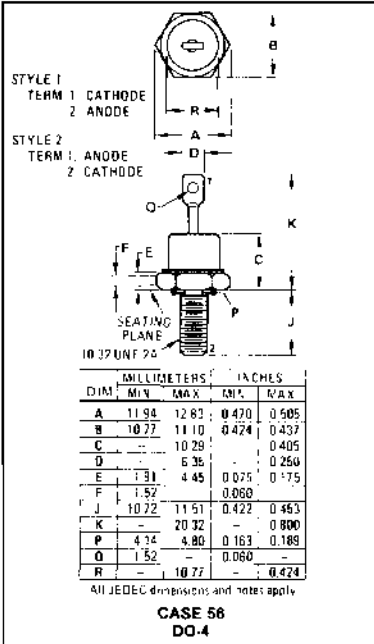
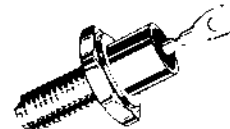
**1N2970
thru
1N3015**

**10 WATTS
ZENER DIODES**

ZENER DIODES

Diffused-junction zener diodes for both military and high-reliability industrial applications. Available with anode-to-case and cathode-to-case connections (standard and reverse polarity), i.e., 1N2970 and 1N2970R. Supplied with mounting hardware.

The type numbers shown have a standard tolerance of $\pm 20\%$ on the nominal zener voltage. Add suffix "A" for $\pm 10\%$ units or "B" for $\pm 5\%$ units. (2% and 1% tolerance also available.)



MAXIMUM RATINGS

Junction and Storage Temperature: -65°C to $+175^{\circ}\text{C}$.
DC Power Dissipation: 10 Watts. (Derate 83.3 mW/ $^{\circ}\text{C}$ above 55°C .)

ELECTRICAL CHARACTERISTICS ($T_C = 25^{\circ}\text{C}$ unless otherwise noted, $V_F = 1.5\text{ V max @ } I_F = 2\text{ amp on all types.}$)

Type No.	Nominal Zener Voltage $V_Z @ I_ZT$ Volts	Test Current I_ZT mA	Max Zener Impedance			Max DC Zener Current I_{ZM} mA	Max. Reverse Current*		
			$Z_{ZT} @ I_ZT$ Ohms	$Z_{ZK} @ I_{ZK}$ Ohms	I_{ZK} mA		I_R Max (μA)	V_{R1}	V_{R2}
1N2970	6.8	370	1.2	500	1.0	1,320	150	5.2	4.9
1N2971	7.5	335	1.3	250	1.0	1,180	75	5.7	5.4
1N2972	8.2	305	1.5	250	1.0	1,040	50	6.2	5.9
1N2973	9.1	275	2.0	250	1.0	960	25	6.9	6.6
1N2974	10	250	3	250	1.0	880	10	7.6	7.2
1N2975	11	230	3	250	1.0	780	5	8.4	8.0
1N2976	12	210	3	250	1.0	720	5	9.1	8.6
1N2977	13	190	3	250	1.0	660	5	9.9	9.4
1N2978	14	180	3	250	1.0	600	5	10.6	10.1
1N2979	15	170	3	250	1.0	560	5	11.4	10.8

* V_{R1} — Test Voltage for 5% Tolerance Device. V_{R2} — Test Voltage for 10% Tolerance Device. No Leakage Specified as 20% Tolerance Device

1N2970 thru 1N3015

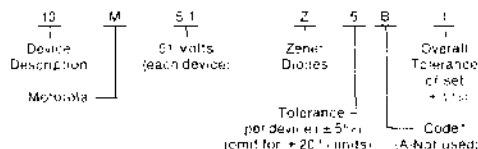
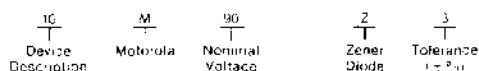
ELECTRICAL CHARACTERISTICS (T_C = 25°C unless otherwise noted. V_F = 1.5 V max @ I_F = 2 amp on all types.)

Type No.	Nominal Zener Voltage V _Z or I _{ZT} Volts	Test Current I _{ZT} mA	Max Zener Impedance			Max DC Zener Current I _{ZM} mA	Max. Reverse Current*		
			Z _{ZT} @ I _{ZT} Ohms	Z _{ZK} @ I _{ZK} Ohms	I _{ZK} mA		I _R Max μA	V _{R1}	V _{R2}
1N2980	16	155	4	250	1.0	530	5	12.2	11.5
1N2982	16	140	4	250	1.0	460	5	12.7	13.0
1N2983	19	150	4	250	1.0	440	5	14.4	13.7
1N2984	20	125	4	250	1.0	420	5	15.2	14.4
1N2985	22	115	5	250	1.0	380	5	16.7	15.8
1N2986	24	105	5	250	1.0	350	5	18.2	17.3
1N2988	27	95	7	250	1.0	300	5	20.6	19.4
1N2989	30	85	8	300	1.0	280	5	22.8	21.6
1N2990	33	75	9	300	1.0	260	5	25.1	23.8
1N2991	36	70	10	300	1.0	230	5	27.4	25.9
1N2992	39	65	11	300	1.0	210	5	29.7	28.1
1N2993	43	60	12	400	1.0	195	5	32.1	31.0
1N2995	47	55	14	400	1.0	175	5	35.8	33.8
1N2996	50	50	15	500	1.0	165	5	38.0	36.0
1N2997	51	50	15	500	1.0	163	5	38.8	36.7
1N2998	52	50	15	500	1.0	160	5	39.5	37.4
1N2999	56	45	16	500	1.0	150	5	42.6	40.3
1N3000	62	40	17	600	1.0	130	5	47.1	44.5
1N3001	68	37	13	600	1.0	120	5	51.7	49.0
1N3002	75	33	22	600	1.0	110	5	56.0	54.0
1N3003	82	30	25	700	1.0	100	5	62.2	59.0
1N3004	91	26	35	800	1.0	85	5	69.2	65.5
1N3005	100	25	40	900	1.0	80	5	76.0	72.0
1N3006	105	25	45	1000	1.0	75	5	79.8	75.6
1N3007	110	23	55	1100	1.0	72	5	83.0	79.2
1N3008	120	20	75	1200	1.0	67	5	91.2	86.4
1N3009	130	19	100	1300	1.0	62	5	98.8	93.6
1N3010	140	16	125	1400	1.0	58	5	106.4	100.8
1N3011	150	17	175	1500	1.0	54	5	114.0	108.0
1N3012	160	16	200	1600	1.0	50	5	121.6	115.2
1N3014	180	14	260	1850	1.0	45	5	136.8	129.6
1N3015	200	12	300	2000	1.0	40	5	152.0	144.0

*V_{R1} — Test voltage for 5% Tolerance Device. V_{R2} — Test Voltage for 10% Tolerance Device. No Leakage Specified as 20% Tolerance Device.

(A) NOMINAL ZENER VOLTAGES BETWEEN THE VOLTAGES SHOWN AND TIGHTER VOLTAGE TOLERANCES:

To designate units with zener voltages other than those assigned JEDEC numbers and/or tight voltage tolerances (±3%, ±2%, ±1%), the Motorola type number should be used.



*Code
B — Two devices in series
C — Three devices in series
D — Four devices in series

Example: 10M51Z5B1

(B) MATCHED SETS: (Standard Tolerances are ±5.0%, ±2.0%, ±1.0%).

Zener diodes can be obtained in sets consisting of two or more matched devices. The method for specifying such matched sets is similar to the one described in (A) for specifying units with a special voltage and/or tolerance except that two extra suffixes are added to the code number described.

These units are marked with code letters to identify the matched sets and, in addition, each unit in a set is marked with the same serial number, which is different for each set being ordered.

SPECIAL SELECTIONS AVAILABLE INCLUDE (See Selector Guide for details)

(C) ZENER CLIPPERS: (Standard Tolerance ±10% and ±5%).

Special clipper diodes with opposing Zener junctions built into the device are available by using the following nomenclature:

