

# COMPUTER DIODE

## Switching

1N4152, 1N4305, 1N4444

### ABSOLUTE MAXIMUM RATINGS, AT 25°C

	1N4152	1N4305	1N4444
Peak Reverse Voltage .....	40V	75V	70V
Reverse Working Voltage .....	30V	50V	50V
Average Rectified Current .....	200mA dc		
Surge Current, 8.3 ms .....	500mA		
Operating Temperature Range .....	-65°C to +150°C		
Storage Temperature Range .....	-65°C to +200°C		

### FEATURES

- Metallurgical Bond
- Planar Passivated
- DO-35 Package

### DESCRIPTION

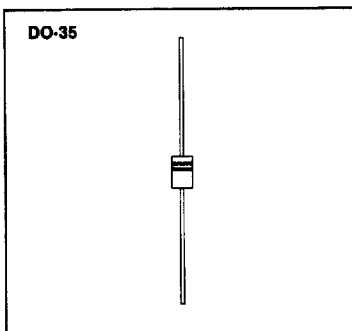
This series offers Metallurgical Bonding and is very popular for general purpose switching applications.

### ELECTRICAL SPECIFICATIONS (at 25°C unless noted)

Type	Peak Inverse Voltage (V)	Forward Voltage @ 0.1mA		Forward Voltage @ 0.25mA		Forward Voltage @ 1.0mA		Forward Voltage @ 2.0mA		Forward Voltage @ 10mA		Forward Voltage @ 20mA		Forward Voltage @ 100mA	
		min	max	min	max	min	max	min	max	min	max	min	max	min	max
1N4152	40	0.49	0.55	0.53	0.59	0.59	0.67	0.62	0.70	0.70	0.81	0.74	0.88	—	—
1N4305	75	—	—	0.505	0.575	0.55	0.65	0.61	0.71	0.70	0.85	—	—	—	—
1N4444	70	0.44	0.55	—	—	0.50	0.60	—	—	0.69	0.82	—	—	0.85	1.0

Type	Reverse Current		Reverse Current @ 150°C		Junction Capacitance @ 0V	Reverse Recovery Time $t_{rr}$
	$V_R$	(nA)	$V_R$	( $\mu$ A)		
1N4152	30	50	30	50	2pF	2nS
1N4305	50	100	50	100	2pF	2nS
1N4444	50	50	50	50	2pF	7nS

### MECHANICAL SPECIFICATIONS



**Microsemi Corp.**  
**Watertown**  
*The diode experts*